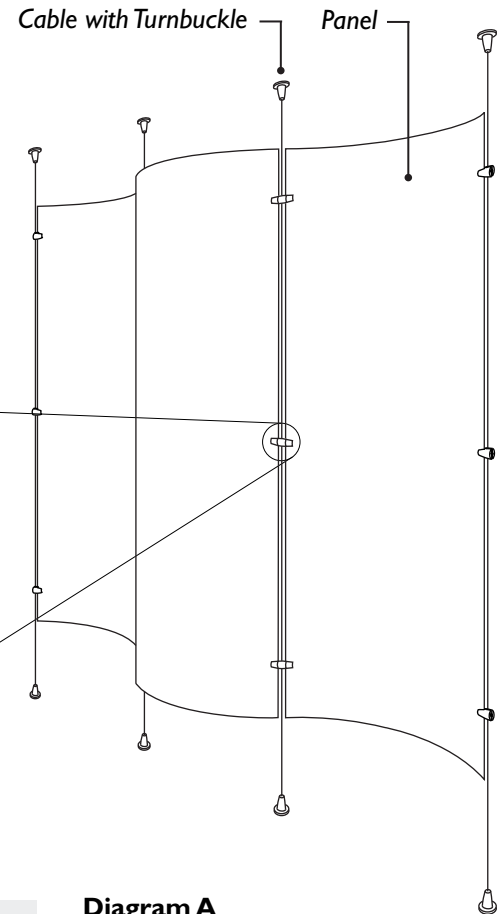
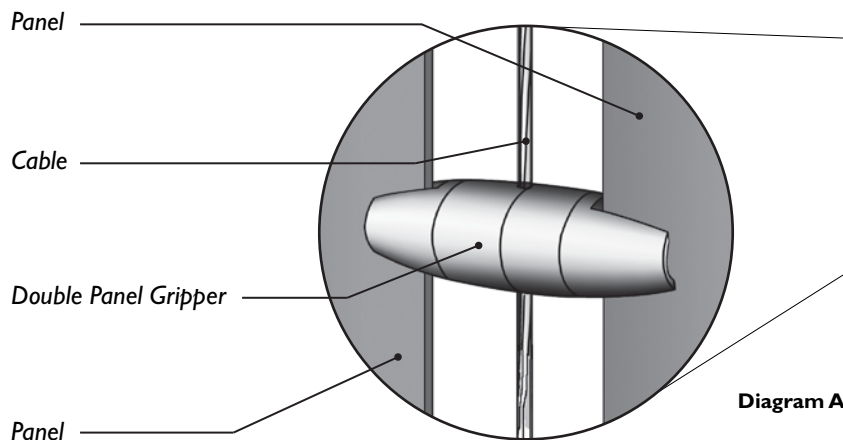


# Móz Room Dividers

Modular Kits with Cables



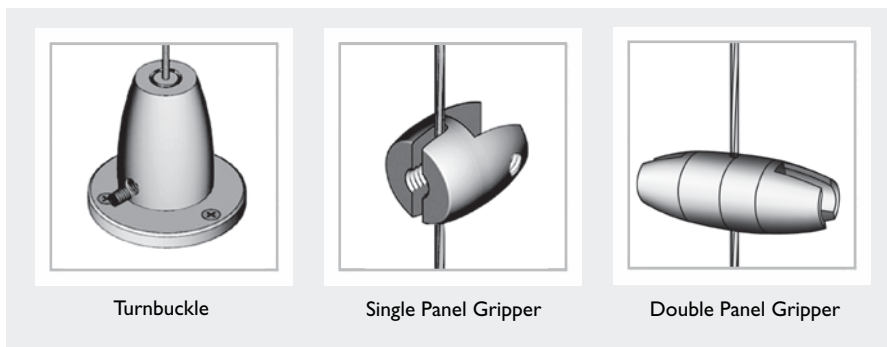
Room Divider Kits from MóZ Designs are a stylish, contemporary, and affordable approach to dividing space. Whether you choose solid or perforated aluminum, our kits are available in two heights to fit your environment. Order multiple kits or add panels to suit the function of your spaces.



**Diagram A**

**Elevation, Standard Three Panel Kit** using 3' x 8' curved panels. Panels are attached to Cables using Grippers and attached to floor and ceiling with turnbuckles.

**All Hardware and Attachments** are included in each kit.



## Standard Features

- Available Flat or Curved
- Standard 3-panel kit in 5' and 8' panel heights. Each panel is 3' wide and double-sided.
- Standard material .090" thick solid-core aluminum, solid or perforated.
- Two perforated sizes available: 1/4" dia. with 1/2 stg. ctrs. or 3/4" dia. with 1-1/2" stg. ctrs.
- Choose from any of our 25 colors and 14 hand-etched patterns.
- Special protective finishes are available.
- Includes all hardware and attachments.

## Custom Features

- Stainless steel base materials also available
- Custom sizes and color matching available
- Custom panel shapes

## Applications

- Healthcare
- Hospitality
- Transportation
- Corporate
- Institutional
- Remodels
- Tenant Improvements
- New Construction

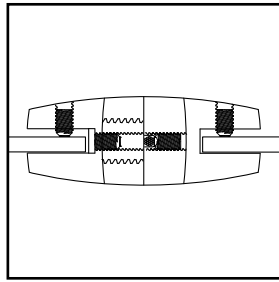
### Flat Kit Sizes

- RDFC335 Kit  
9' X 5'
- RDCC335A  
5' add on panel + hardware
- RDFC338 Kit  
9' X 8'
- RDCC338A  
8' add on panel + hardware

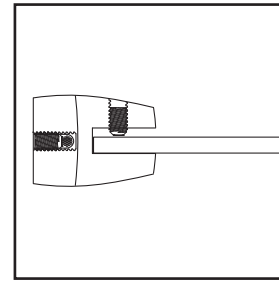
### Curved Kit Sizes

- RDCC335 Kit  
9' X 5'
- RDCC335A  
5' add on panel + hardware
- RDCC338 Kit  
9' X 8'
- RDCC338A  
8' add on panel + hardware

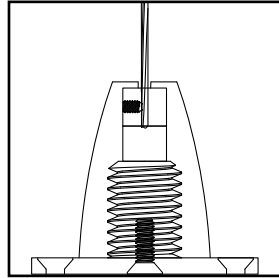
### Views of Cable and Grippers



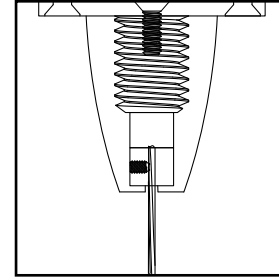
Detail showing a Double Panel Gripper attached to two typical mid panels.



Detail showing an Single Panel Gripper attached to one typical end panel.

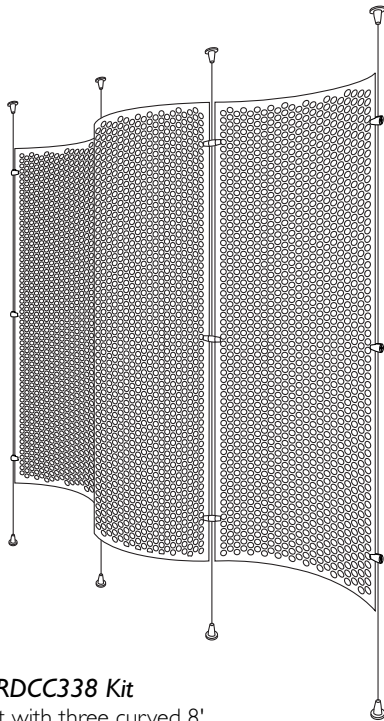


Detail showing a Lower Turnbuckle with typical cable attached.



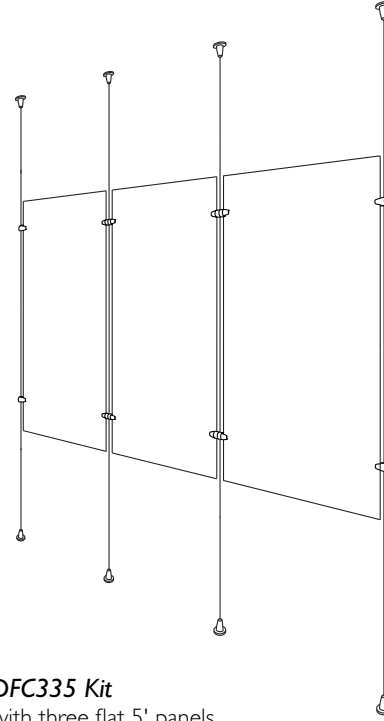
Detail showing an Upper Turnbuckle with typical cable attached.

**Sample Layouts:** Choose curved or flat panels to suit your space, and specify solid or perforated aluminum for visual interest.



#### Layout A. RDCC338 Kit

Standard kit with three curved 8' panels includes all hardware and attachments. Specify Perforated or Solid Aluminum.



#### Layout B. RDFC335 Kit

Standard kit with three flat 5' panels includes all hardware and attachments. Specify Solid or Perforated Aluminum.

### Decoration

All of our materials are specified with a color and a pattern. Móz Metals are available in 25 standard colors and 14 hand-etched patterns. Custom features: Móz Blendz designs (solid aluminum only) and brushed stainless #4. Please contact factory to specify a custom color.

### Finish

Polycoat Gloss or Satin protective finishes are available for your project.