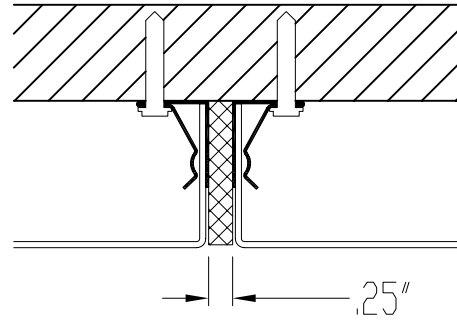
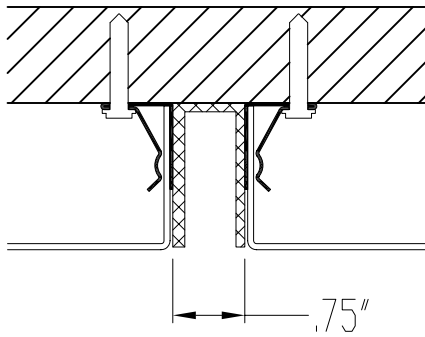


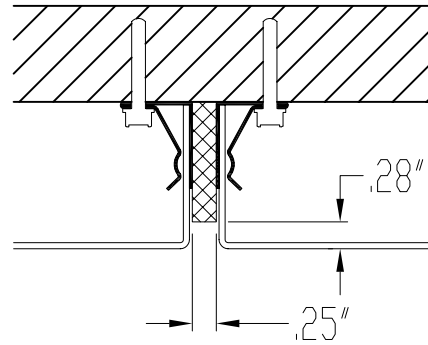
STANDARD
BUTT JOINT



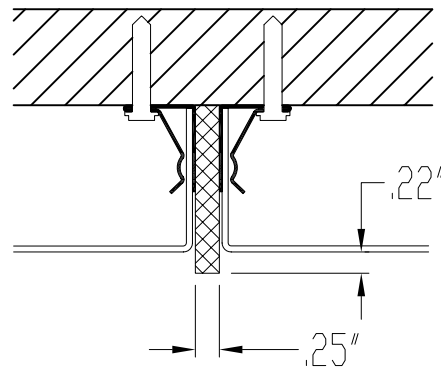
FLUSH SOLID REVEAL



OPEN REVEAL



RECESS SOLID REVEAL



PROUD SOLID REVEAL

THE INFORMATION CONTAINED IN THIS DRAWING IS THE SOLE PROPERTY OF MoZ DESIGNS, INC.
ANY REPRODUCTION IN PART OR WHOLE IS PROHIBITED WITHOUT THE WRITTEN PERMISSION OF MoZ DESIGNS, INC.



510-632-0853

711 Kevin Ct. Oakland, CA 94621

REVEAL & SEAM OPTION

Scale: 1:2

Sheet: 1 OF 1

X1.1