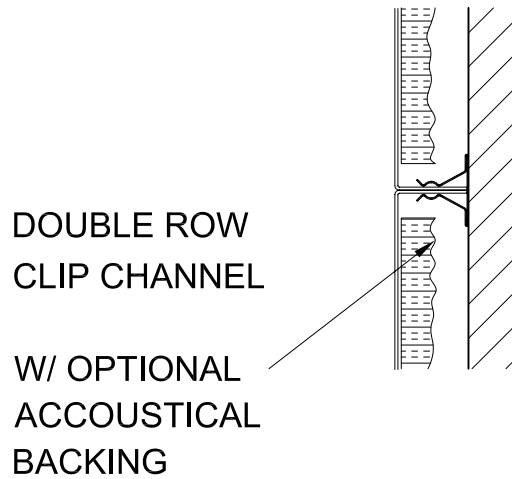
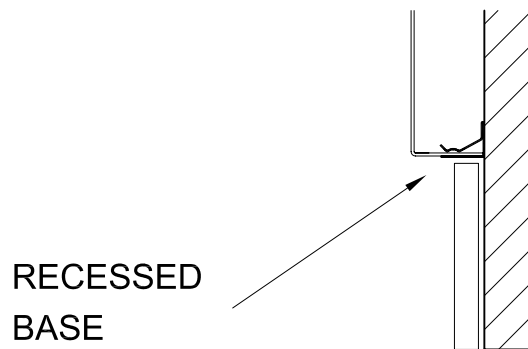


FLUSHED
TO CEILING



DOUBLE ROW
CLIP CHANNEL
W/ OPTIONAL
ACCOUSTICAL
BACKING



RECESSED
BASE

THE INFORMATION CONTAINED IN THIS DRAWING IS THE SOLE PROPERTY OF MoZ DESIGNS, INC.
ANY REPRODUCTION IN PART OR WHOLE IS PROHIBITED WITHOUT THE WRITTEN PERMISSION OF MoZ DESIGNS, INC.



BASE / CEILING DETAIL

Scale: 1:4

Sheet: 1 OF 1

X1.1

510-632-0853

711 Kevin Ct. Oakland, CA 94621