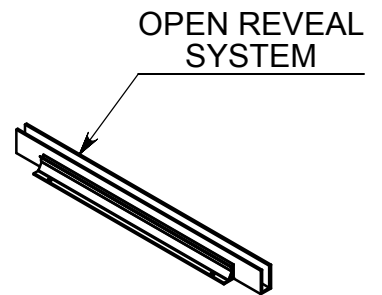
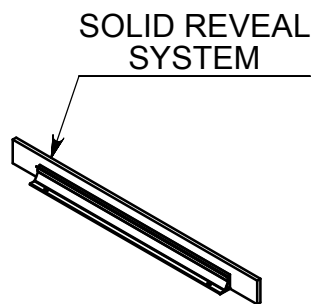
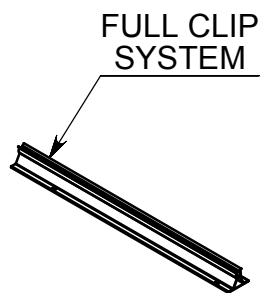
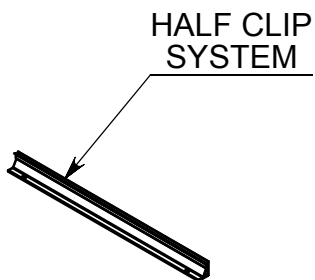
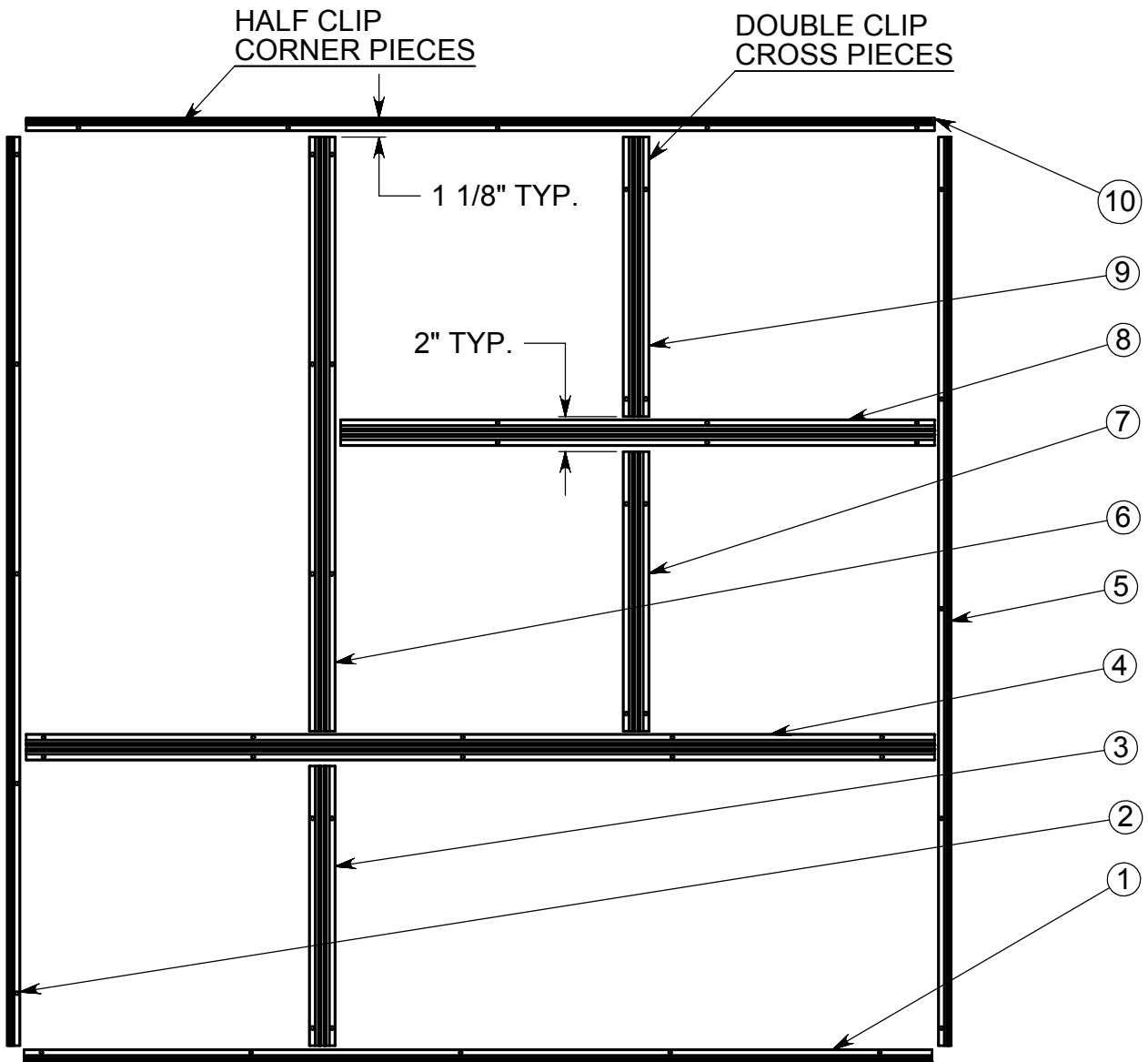


TYPICAL FRAMING OF PANELS WITH CLIP SYSTEMS INSTALLATION:

- Construct the framing as recommended by the numbering sequence.
- Securely anchored & level each frame in relationship to wall.
- Field condition and screws by others.



THE INFORMATION CONTAINED IN THIS DRAWING IS THE SOLE PROPERTY OF MoZ DESIGNS, INC.  
 ANY REPRODUCTION IN PART OR WHOLE IS PROHIBITED WITHOUT THE WRITTEN PERMISSION OF MoZ DESIGNS, INC.